



FOR STYLISH LIVING

aavara

Aavara AV Over IP™

Commercial AV • Conference Room AV

Seamless Cross Display KVM • Residential AV



Entregado a
la Excelencia



Residential AV Matrix

SAVANT

Control4

AMX

CRESTRON

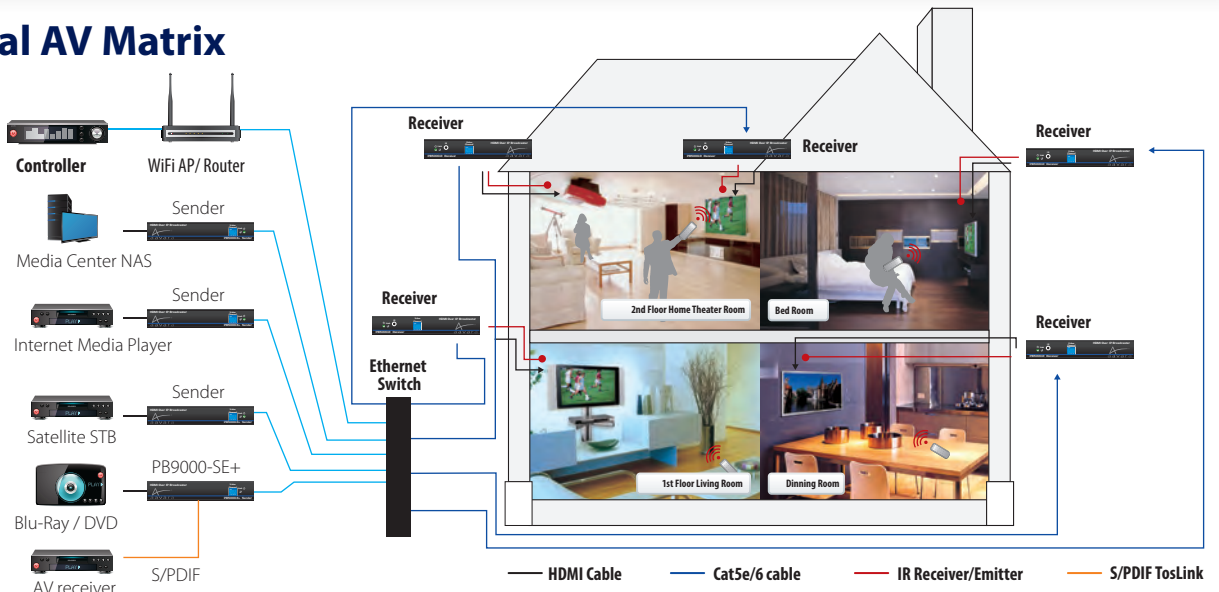
RTI

ELAN

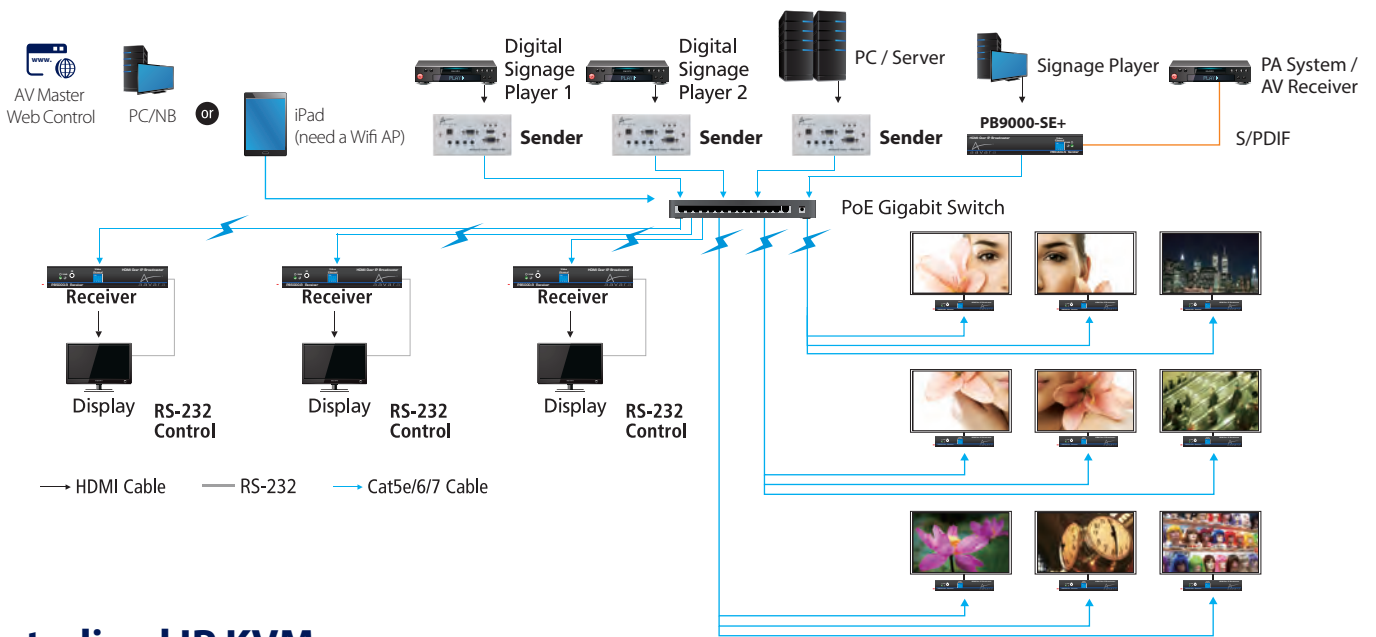
Neets

COMMAND FUSION

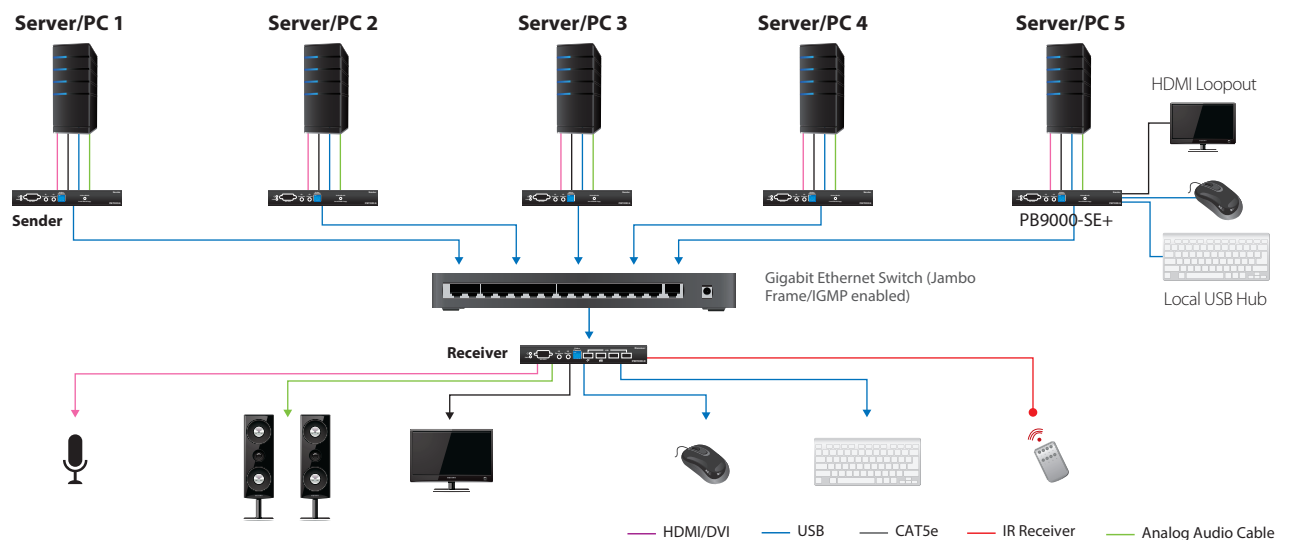
Extron



Scalable & Flexible Digital Signage/Meeting Room/VideoWall

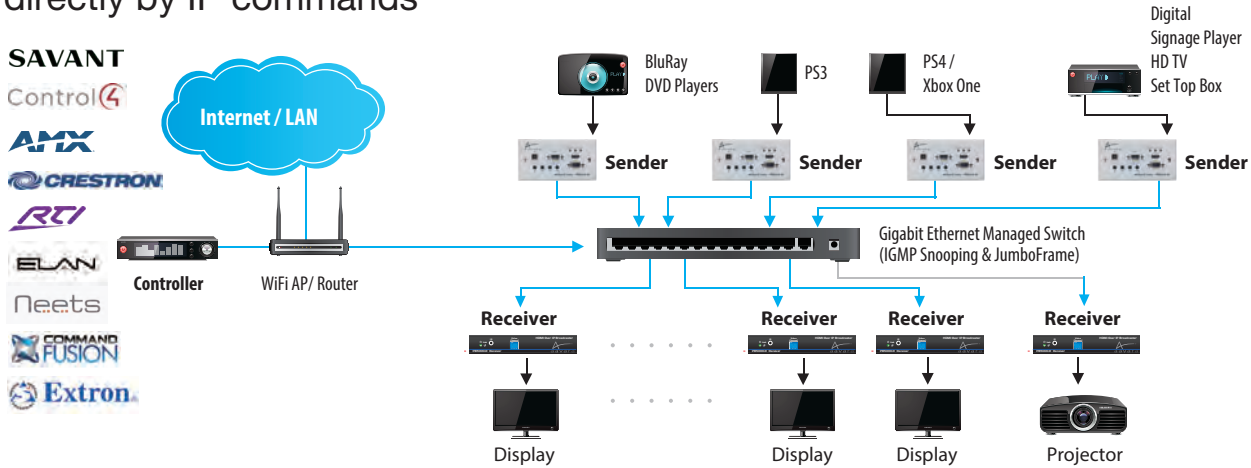


Centralized IP KVM



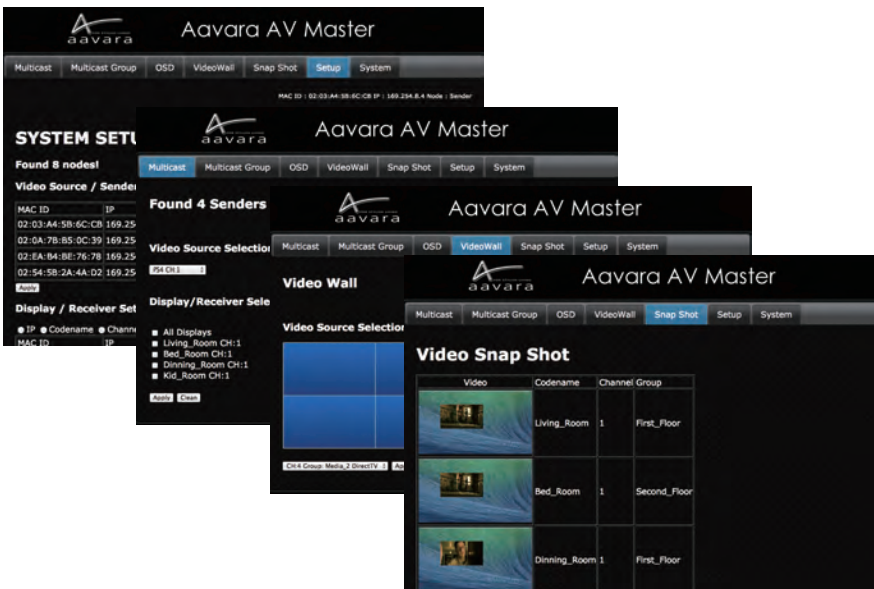
3rd party Controller integration

Controller driver provided, allowing controller to control Aavara Box directly by IP commands



Aavara AV Master Web Control

Built-in in box without additional cost, just one Web page can centralize control entire AV Matrix and VideoWall



- Auto Search All Senders & Receivers
- Video Snapshot on Both Input and Output
- Multi User Management
- Drag and Drop Matrix / VideoWall Control
- Video Snapshot
- Display/Device Control(CEC/IR/RS232)
- Customize EDID Upload
- Setup by CSV files Upload/Download



IR Remote Video Channel Control

A 16 channels IR remote included in PB9000 receiver. User can use Universal IR Remote for controlling Over IP Receiver and Video Source with ONE remote. Ideal for home or small commercial installation.



Keyboard Hotkeys Control

Just plug-in an USB Keyboard at PB9000 Receiver's USB port. User can use Keyboard Hotkeys to switch Receiver quickly. Ideal for IP KVM application.



PB9000

4K HDMI HDCP 2.2 HDR Video, Multi-Channel Audio, Ultra Low Latency, Hybrid Video Out, VideoWall, USB 2.0 KVM, SFP Fiber Optical



4K 30Hz 4:4:4 Pass-Thru

AV Matrix

VideoWall

USB IP KVM

HDR

HDCP 2.2

Way to Control



AV Master Web Control



3rd Party Controller Integration



Keyboard HotKeys Control



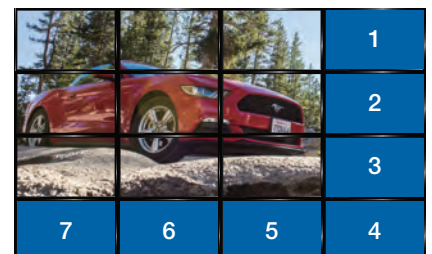
IR Remote Control

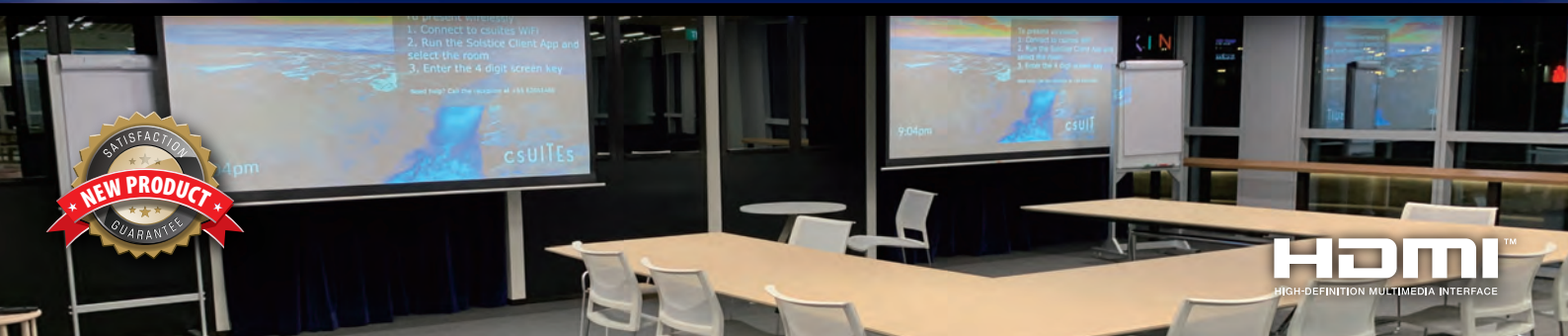
- 4K 30Hz 4:4:4 Pass-Thru
- Up To HDMI 2.0 4K 2160p60hz 4:2:0 Video Input
- HDR Video Format Support
- Ultra Low Latency 16~33ms
- Up To 7.2 CH Audio Or More (LPCM/dts/DOLBY/DOLBY ATMOS)
- USB 2.0 Pass-thru
- Asymmetric or Symmetric VideoWall Up to 4K Resolution
- Hybrid Video Output: Different Video Format At Each Receiver
- Video Rotation 0, 90, 180, 270 Degree, Mirroring
- HDMI Audio Extract To Analog Output (2 Channel LPCM Audio)
- Max. Bit Rate Control (10 Mbps ~ 850 Mbps)
- Video Snap Shot (Video Capture)
- HDCP 2.2 Support (For 4k Blu-ray & Video Streaming)
- Customized EDID Upload/EDID Copy Enhance Compatibility
- Both RJ45 & SFP Fiber Optical For Meters Or KMs Point To Point Connection
- PoE 802.3af Support

Asymmetric VideoWall



Symmetric VideoWall

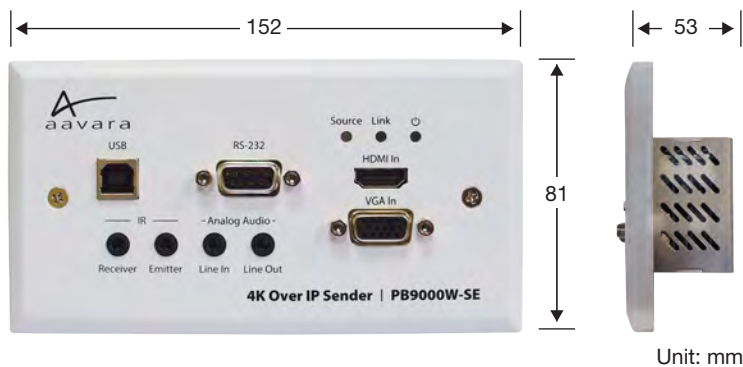




HDMI
HIGH-DEFINITION MULTIMEDIA INTERFACE

PB9000W-SE

4K Over IP Wall Plate Sender



PB9000-SE in Wall Plate Format Factor.

- Power from POE
- HDMI Video Input up to 4K@60Hz 4:2:0 /4K30Hz 4:4:4 HDR
- HDMI Audio up to 7.1ch LPCM/dts/Dolby ATMOS

Input/Output Connector:

- Video/Audio Input: HDMI x 1, VGA x 1 (w/ Analog Audio 3.5mm jack)
- IR Control: IR Emitter x 1, IR Receiver x 1
- Serial Control: RS232 (DB-9) x 1
- USB Pass-Thru: USB (Type B) x 1
- Ethernet RJ45 Connector w/ 802.3af PoE

PB9000-SE+

4K Over IP Sender w/ HDMI Loop out, & S/PDIF TOSLINK Out



With PB9000 all existing features and functions, adding following new features:

• HDMI Loop out

For local Monitor/TV or AV Receiver connection, up to 4K video and Dolby ATMOS/DTS X audio output. Extra HDMI Splitter not needed.

• Standalone S/PDIF TOSLINK Fiber Optics audio output

Support up to Dolby Digital (AC3) and DTS 5.1 output. Optimised for Video source and AV Receiver installed on Rack, or this two placed together.

HDMI Loopout

S/PDIF Out

PB9000HD-SE

1080p Over IP Sender that work with PB9000

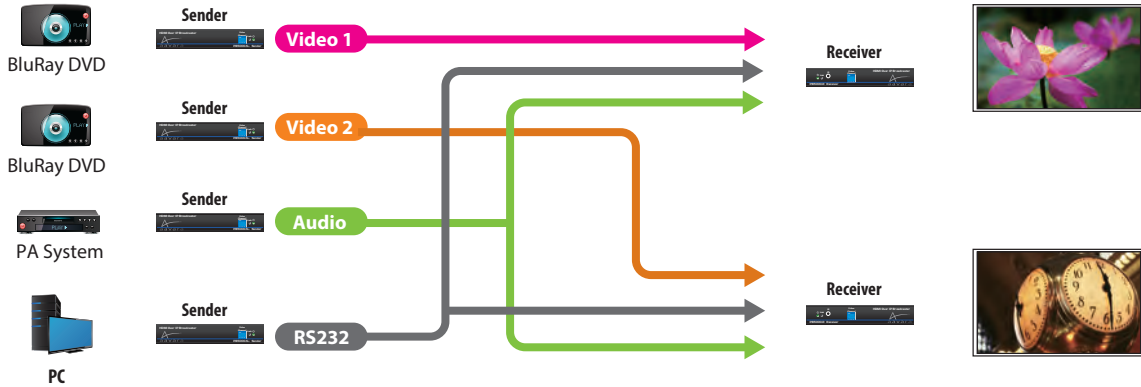
Work with PB9000 and Up Scale 1080p Video Source input to 4K output w/ PB9000-RE Receiver Support

- HDMI Input: Up to 1080p 60Hz 4:4:4 HDR Video, 7.1ch LPCM/Dolby/DTS Audio
- DVI Input: Up to 1920x1200@60Hz
- VGA Input: Up to 1920x1080@60Hz
- USB 2.0 Pass-Thru for KVM Application
- Two Ways IR/RS232/CEC pass-Thru and IP commands
- Ultra Low 16~33 ms Latency

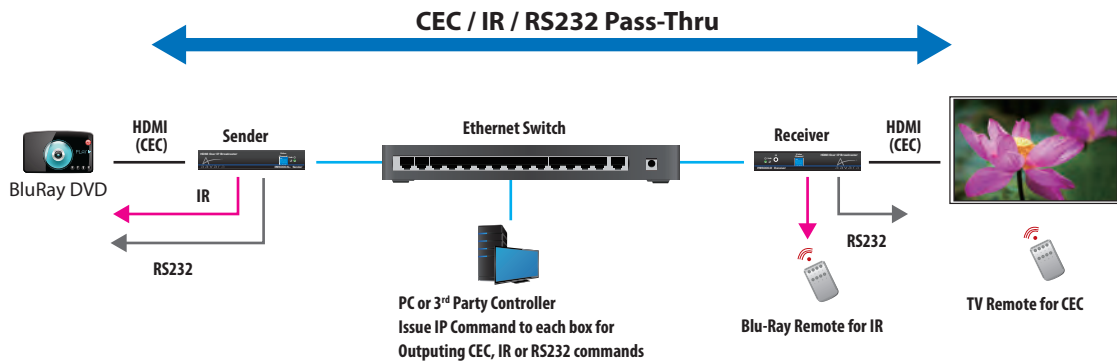


Independent Matrix Routing for Each Service

(Video, Audio, RS232, IR and USB)



CEC / IR / RS232 Over IP



Seamless Cross Display KVM

