

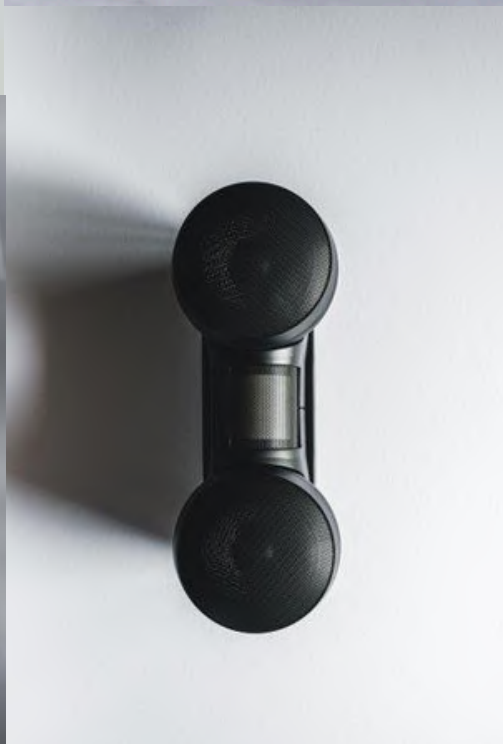
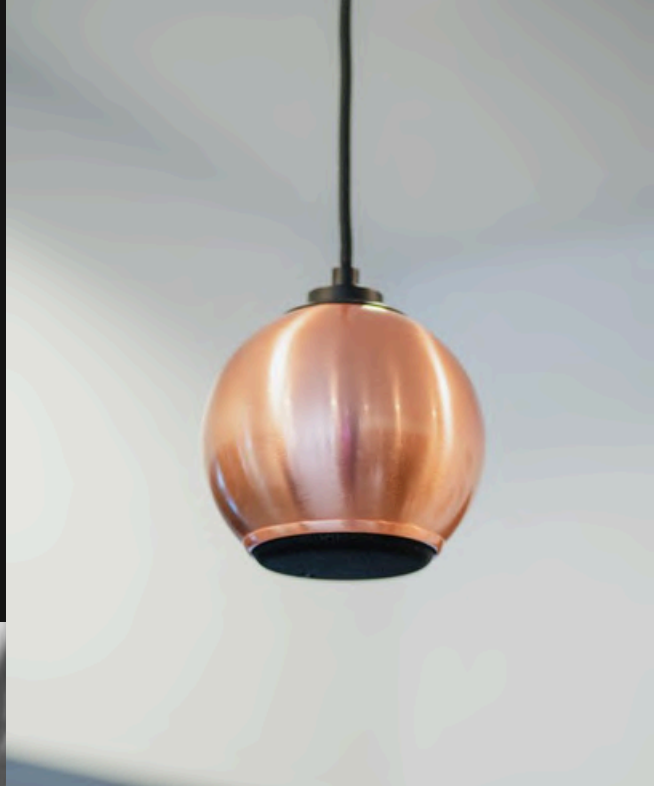


**GALLO  
ACOUSTICS**

PRODUCT INTRODUCTION



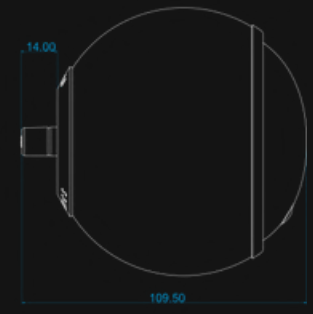
**GALLO  
ACOUSTICS**





GALLO ACOUSTICS

# Micro



## Specifications

- On wall ceiling or floor stand
- On Tabletop
- Sensitivity
- Nominal Impedance
- Power Handling
- Driver:
- Crossover:
- Dimensions
- Weight
- Cone Material
- Enclosure Material
- Warranty
- 100Hz to 18kHz
- 120Hz to 18kHz (on tabletop)
- 89 dB/w 2.8v (1m)
- 8 Ohms
- 100 Watts
- 3" full range
- None
- 4" Sphere
- 795g
- Mical Polypropylene Compound
- Mild Steel
- 5 Years Parts and Labour

GALLO ACOUSTICS

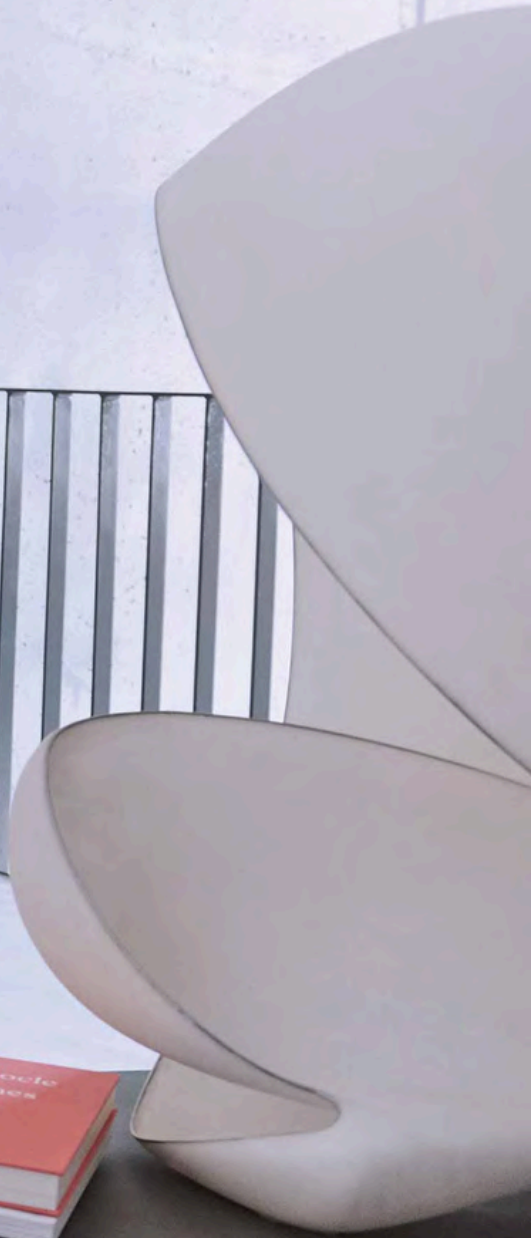
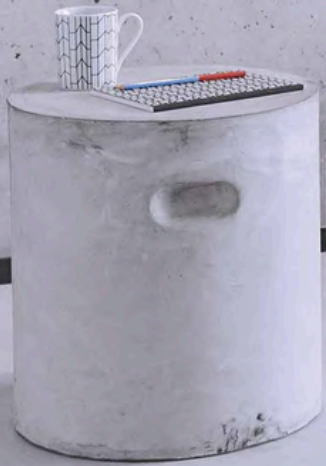
# Micro











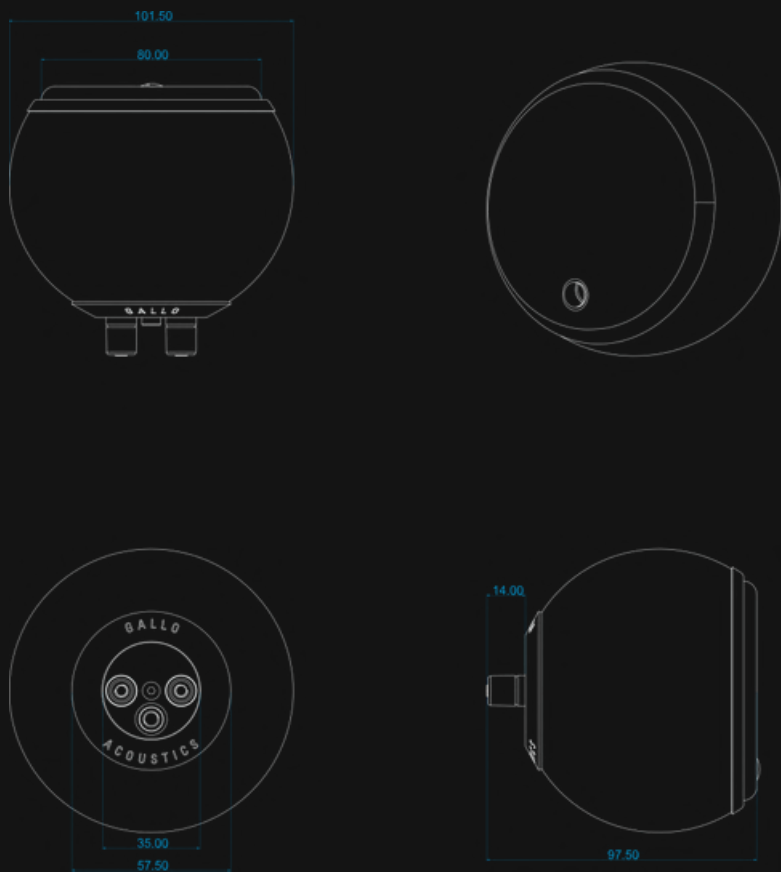


MICRO **SHINES** AT 20



GALLO ACOUSTICS

# Micro SE



## Specifications

- On wall or floor stand:
  - Isolation ring or table stand:
  - Sensitivity:
  - Nominal Impedance:
  - Power Handling:
  - (Small Enclosure) Height on Stand:
  - Drivers:
  - Crossover:
  - Dimensions:
  - Weight:
  - Cone material:
  - Enclosure Material:
  - Warranty:
- 100Hz to 22Khz
  - 120Hz to 22Khz
  - 85 dB/w 2.83v (1M)
  - 4 Ohms
  - 125 watts
  - 91.5 cm
  - 3" wide-dispersion flat diaphragm
  - None
  - 4" Sphere
  - 737g
  - Aluminium Honeycomb Sandwich
  - Mild Steel/Stainless Steel
  - 5 years parts and labour

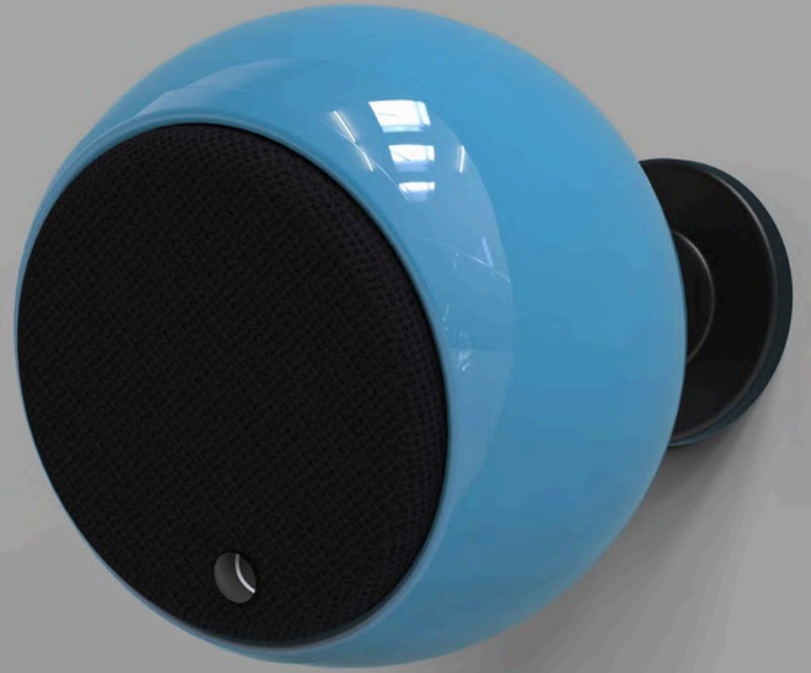
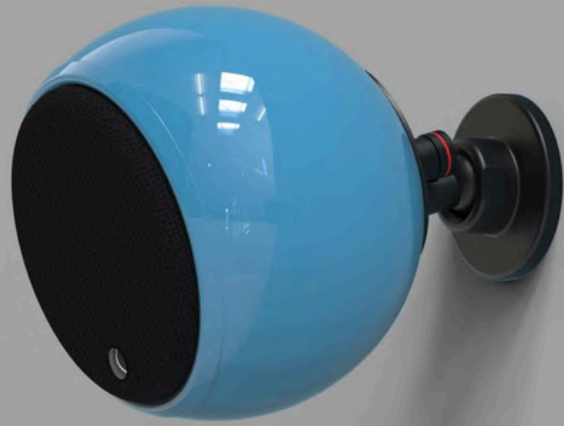












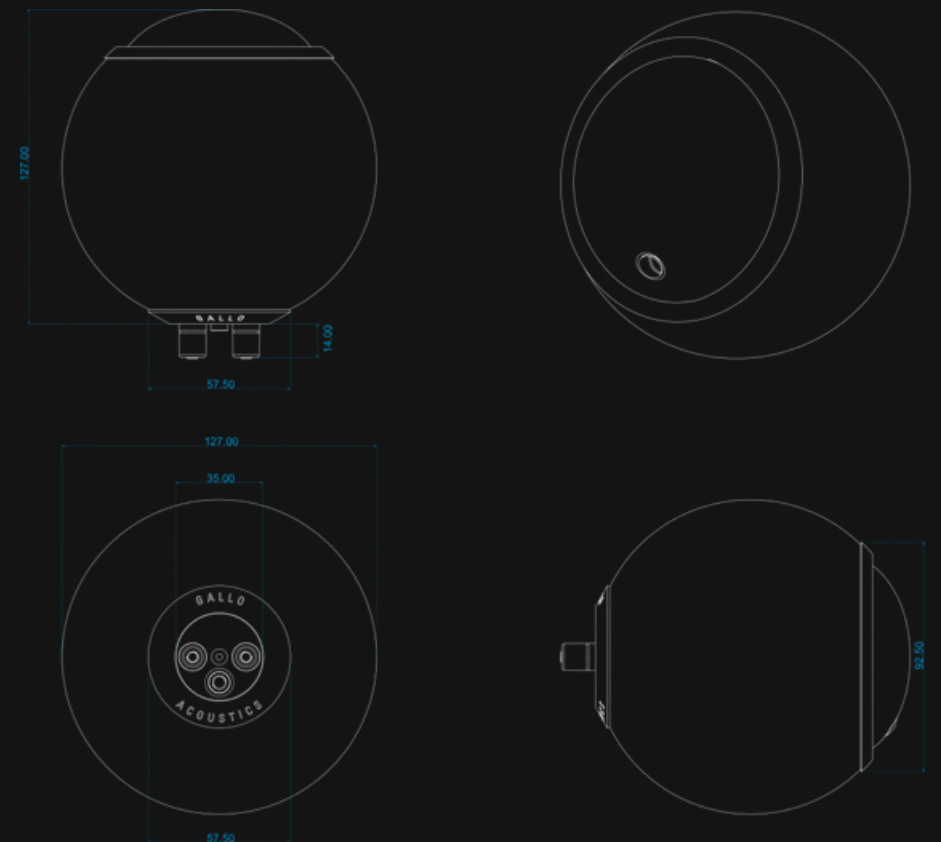


GALLO ACOUSTICS

# A'Diva

## Specifications

- On wall
  - On floor stand
  - Sensitivity:
  - Nominal Impedance:
  - Power Handling:
  - Full range
  - Height on Floor Stand
  - Driver:
  - Crossover
  - Dimensions:
  - Weight:
  - Cone Material:
  - Enclosure Material:
  - Warranty:
- 76Hz to 20Khz
  - 95Hz to 20Khz
  - 88 dB/w
  - 8 Ohms
  - 50 Watts
  - 100 Watts
  - 37"
  - 3"
  - None
  - 5" Sphere
  - 1.6kg
  - Mical Polypropylene Compound
  - Mild Steel
  - 5 Years Parts and Labour







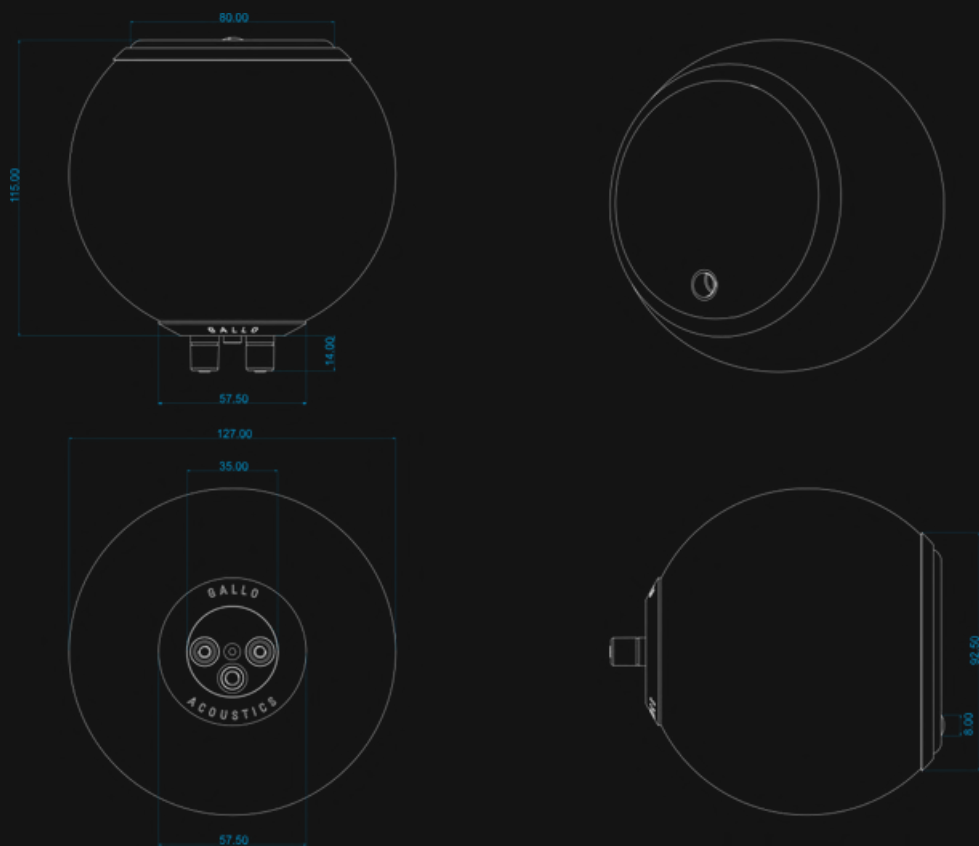






GALLO ACOUSTICS

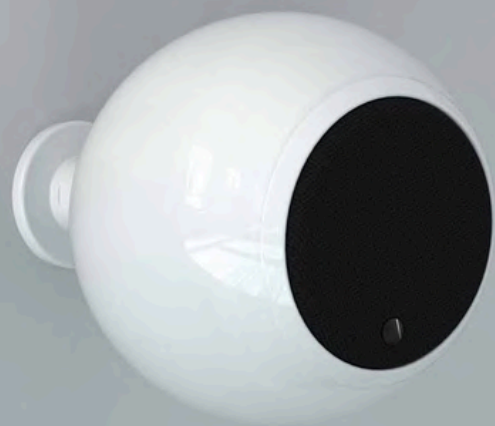
# A'Diva SE

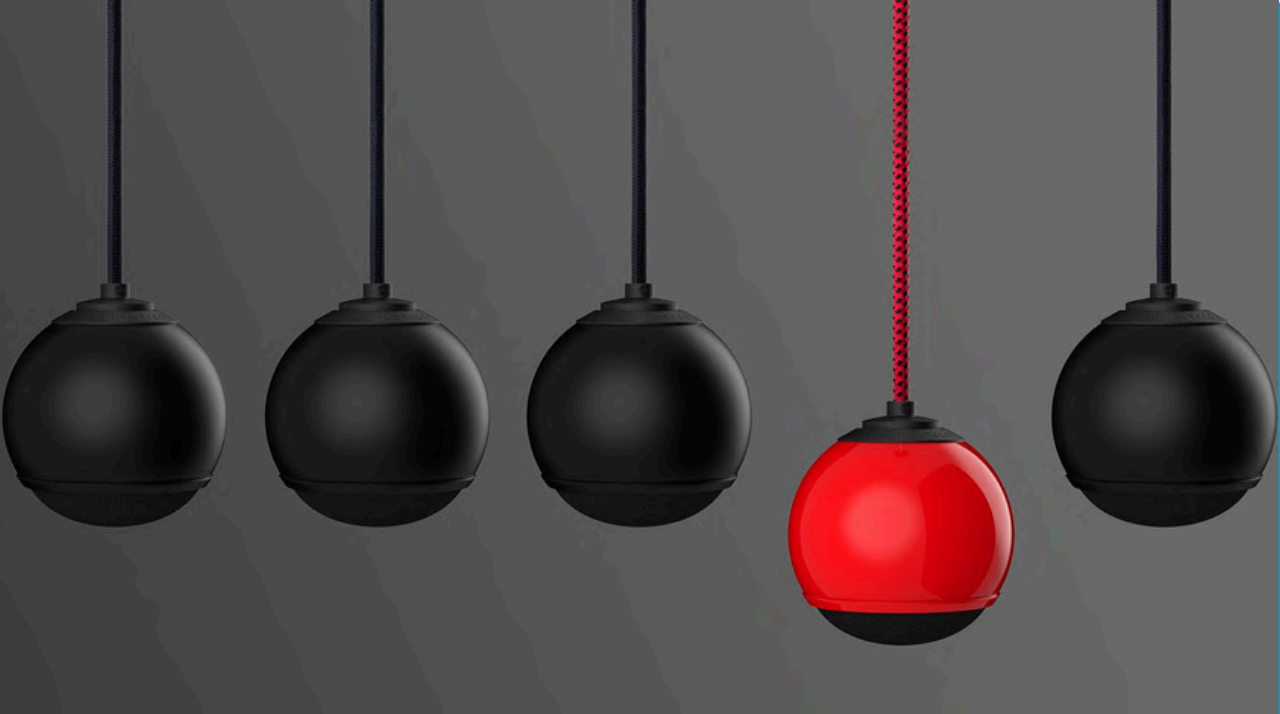


## Specifications

- On wall or floor stand
  - Isolation ring or table stand:
  - Sensitivity:
  - Nominal Impedance:
  - Power Handling:
  - Full range
  - Height on Floor Stand
  - Driver:
  - Crossover:
  - Dimensions:
  - Weight:
  - Cone Material:
  - Warranty:
- 80Hz to 22Khz
  - 100Hz to 22Khz
  - 88 dB/w 2.8v (1M)
  - 4 Ohms
  - 60 watts
  - 125 watts
  - 94 cm
  - 3" wide-dispersion flat diaphragm
  - None
  - 5" Sphere
  - 963g
  - Aluminium Honeycomb Sandwich
  - 5 years parts and labour







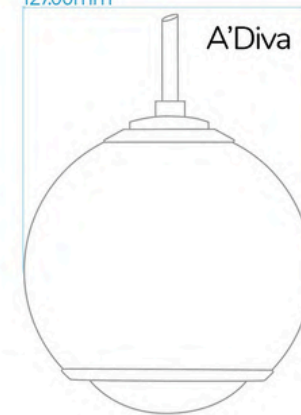
GALLO ACOUSTICS

# Droplets

## Specifications

Audio Specification:	As per individual product pages 2m
Cable Length:	Black & White included as standard
Ceiling Rose:	Black (White on Satin White Variants)
Cable Colours:	8 further colours available on request
Optional Cable Colours:	

12700mm



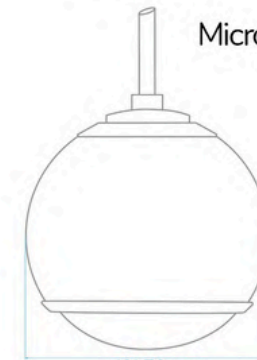
A'Diva

A'Diva SE



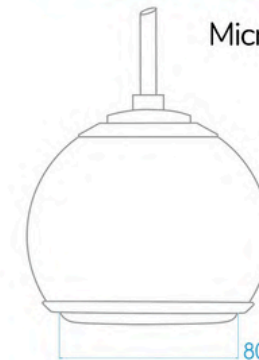
8900mm

Micro



101.50mm

Micro SE



80.00mm







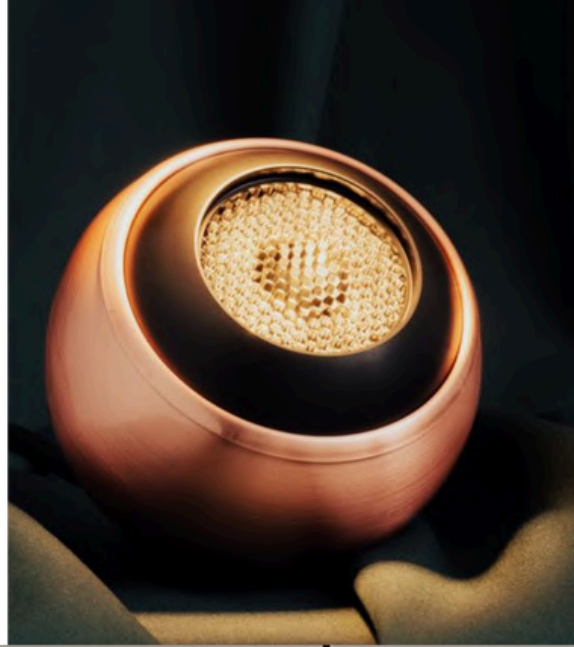


GALLO ACOUSTICS

# Droplet Light



DROPLET LIGHT





DROPLET LIGHT



GALLO ACOUSTICS

# Habitat



## Specifications

- Frequency Response:
- Sensitivity:
- Nominal Impedance:
- Power Handling:
- Crossover
- Driver:
- Dimensions:
- Weight:
- Cone Material:
- Enclosure Material:
- IP Rating:
- Operating Temperature:
- Warranty:

### MICRO

- 100Hz to 20Khz
- 86 +/-2 dB/ (1m)
- 8 Ohms
- Full range -50 Watts With crossover -100 Watts
- None
- 3" Full range
- 4" Sphere
- 745g excl. cable
- Mical polypropylene compound
- Marine grade stainless steel (316)
- IP66
- -20 to +50 °C
- 5 years

### A'DIVA

- 80Hz to 22kHz
- 85 +/- 2 dB/ (1M)
- 8 Ohms
- Full range - 50 Watts With crossover - 100 Watts
- None
- 3" full range
- 5" sphere
- 970g excl. cable
- Mical polypropylene compound
- Marine grade stainless steel (316)
- IP66
- -20 to +50 °C
- 5 years



# The great outdoors

HABITAT is our first weatherproof range and introduces some much needed style to the somewhat utilitarian outdoor speaker category.

This IP66 rated outdoor range is derived from the timeless 4" and 5" spherical forms of our classic Micro & A'Diva speakers. Completely re-engineered from the inside out and featuring a custom 3" waterproof driver, all-stainless steel enclosure and neat perforated stainless grille.

Both Micro & A'Diva Habitat variants have been developed to deliver the same acoustic qualities, performance and sound signature as their indoor equivalents, meaning there's no need to compromise when taking your soundtrack alfresco. And thanks to IP66-certified mechanical design, they're equally at home in the sunshine as they are in the driving rain or in sub-zero environments.

Micro & A'Diva Habitat speakers are available in a choice of satin black, matt white and brushed stainless steel, with optional weatherproof wall brackets to match.

For further information ask your retailer or visit [www.galloacoustics.com](http://www.galloacoustics.com)





GALLO  
ACOUSTICS

NATURAL HABITAT







HABITAT INSTALL





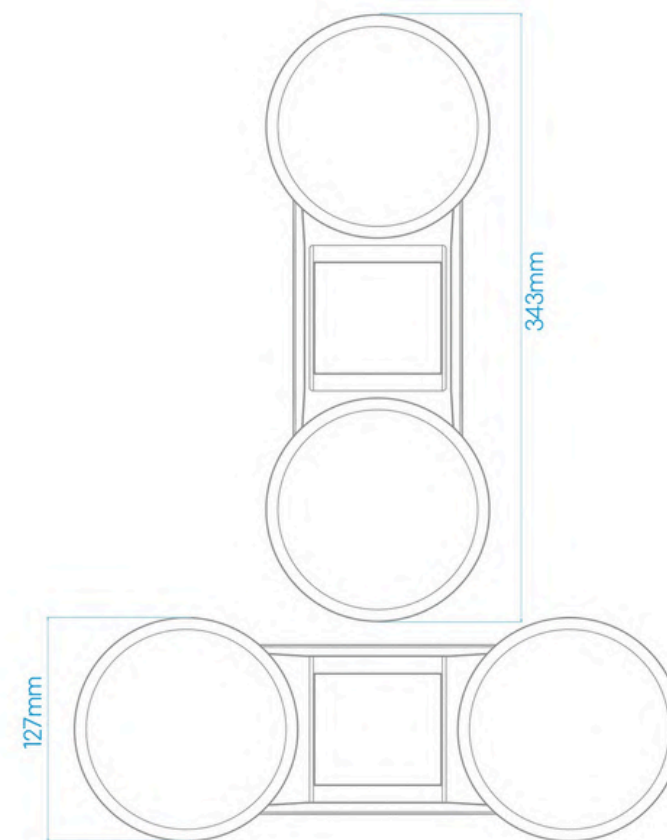


GALLO ACOUSTICS

# Strada 2

## Specifications

- Frequency Response
  - Sensitivity
  - Nominal Impedance
  - Power Handling
  - Finishes
  - Tweeter
  - Woofers
  - Crossovers
  - Enclosure Type
  - Dimensions
  - Weight
  - Connections
  - Enclosure Material
  - Warranty
- 68Hz to 20kHz +/- 3db (in room with boundary reinforcement, speakers within 1 foot of wall)
  - 90 dB/1 Watt/1 meter
  - 8 Ohms
  - 150 Watts RMS unclipped music power. Minimum suggested power 10 Watts RMS.
  - Brushed stainless steel spheres with a black frame.
  - Patented CDT3 (Cylindrical Diaphragm Transducer) sporting 180° horizontal dispersion from 6kHz to above 20kHz.
  - Two 4" dynamic hyperbolic carbon fibre drivers optimised to integrate seamlessly with the CDT3 tweeter without the need for a crossover.
  - None
  - Sealed with Auxilliary Bass Cavity Supplementation and Patented S2 loading.
  - 127mm (W) x 343mm (H) x 191mm (D)
  - 5.2kg
  - 5 way gold plated binding posts.
  - Powder coated cast aluminium chassis with brushed stainless steel spheres and powder coated stainless steel grilles.
  - 5 Years Parts and Labour





AUDIOPHILE AUDIOVISUAL











# Design-driven perfection

Strada 2 is the latest incarnation of our acclaimed Strada reference speaker, and our most ambitious project to date. Impressive power handling, 90dB sensitivity, 68Hz-20Khz frequency response and textbook perfect dispersion enable Strada 2 to shine in any room, and with any system.

A true hi-fi quality loudspeaker that's equally impressive on a wall or a floor stand, with music or a dynamic movie soundtrack.

Enhanced by the inclusion of our proprietary OPT System and critically acclaimed CDT 2 tweeter (Cylindrical Diaphragm Transducer), Strada 2 blurs the line between recorded sound and live performance, always producing the most expansive and full bodied soundstage imaginable.

Strada 2 is available in a second model variant known as the Strada 2 Centre. This alternate version utilises a horizontal tweeter arrangement, allowing use as a center channel speaker in a surround sound setup.

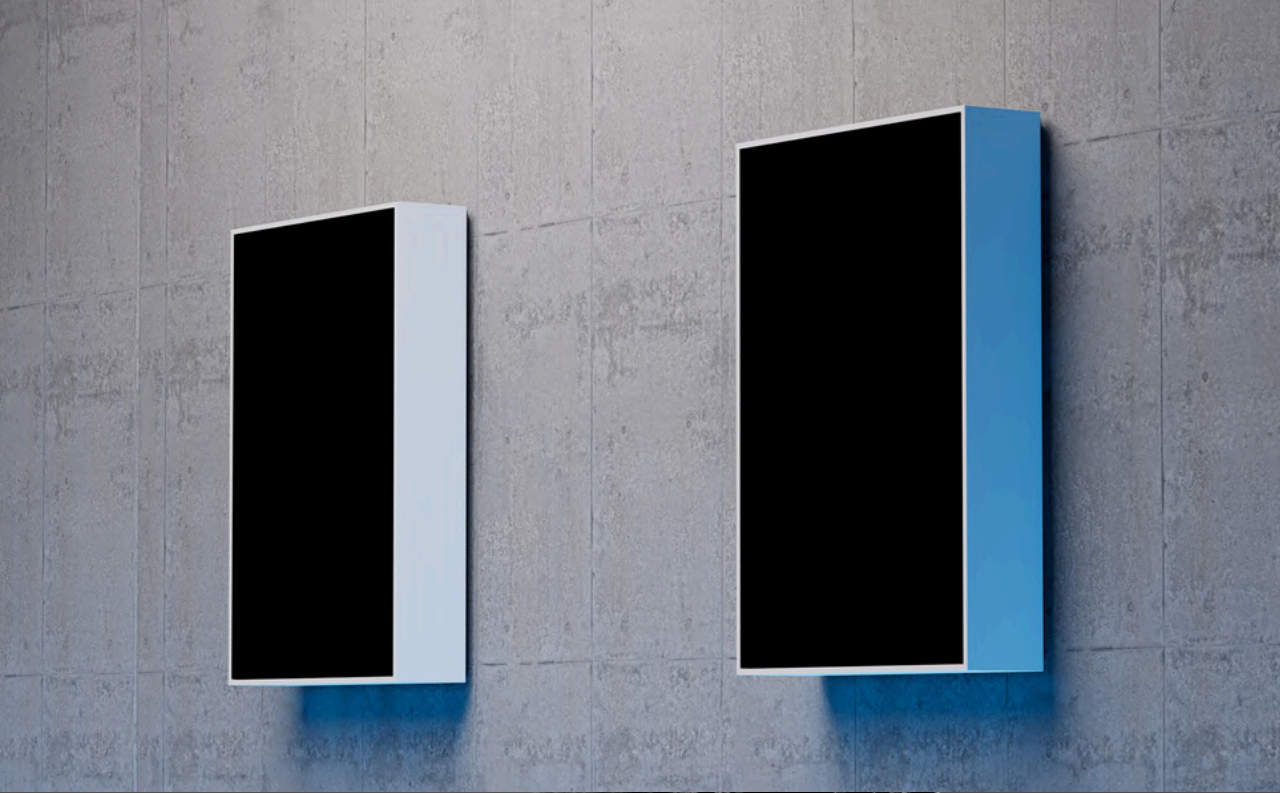
Strada 2 is available in a choice of two colour finishes, black and stainless steel, or all black, and is ideally paired with the Gallo Acoustics ProfileSub or TR-3D subwoofers.

Call us today to find out how Gallo Acoustics can benefit your next project.



GALLO ACOUSTICS

# Profile Series







**GALLO  
ACOUSTICS**

















# SPECIFICATIONS

## Profile1

---



POWER HANDLING: 50W  
FREQUENCY RESPONSE: 80Hz TO 20Khz  
SENSITIVITY: 86db  
NOMINAL IMPEDANCE: 4 Ohm  
DIMENSIONS: 280mm (H) x 210mm (W) x 91mm (D)  
WEIGHT: 3.2KG

## Profile2

---



POWER HANDLING: 70W  
FREQUENCY RESPONSE: 75Hz TO 20Khz  
SENSITIVITY: 87db  
NOMINAL IMPEDANCE: 8 Ohm  
DIMENSIONS: 340mm (H) x 240mm (W) x 91mm (D)  
WEIGHT: 4.6KG

## Profile3

---



POWER HANDLING: 100W  
FREQUENCY RESPONSE: 65Hz TO 20Khz  
SENSITIVITY: 89db  
NOMINAL IMPEDANCE: 4 Ohm  
DIMENSIONS: 450mm (H) x 320mm (W) x 91mm (D)  
WEIGHT: 7.1KG

## Profile4

---



POWER HANDLING: 120W  
FREQUENCY RESPONSE: 59Hz TO 20Khz  
SENSITIVITY: 88db  
NOMINAL IMPEDANCE: 4 Ohm  
DIMENSIONS: 560mm (H) x 390mm (W) x 91mm (D)  
WEIGHT: 10.4KG

## Profile2.5

---



POWER HANDLING: 70W  
FREQUENCY RESPONSE: 72Hz TO 20Khz  
SENSITIVITY: 86db  
NOMINAL IMPEDANCE: 4 Ohm  
DIMENSIONS: 564mm (H) x 164mm (W) x 91mm (D)  
WEIGHT: 5.8KG

## Profile3.5

---

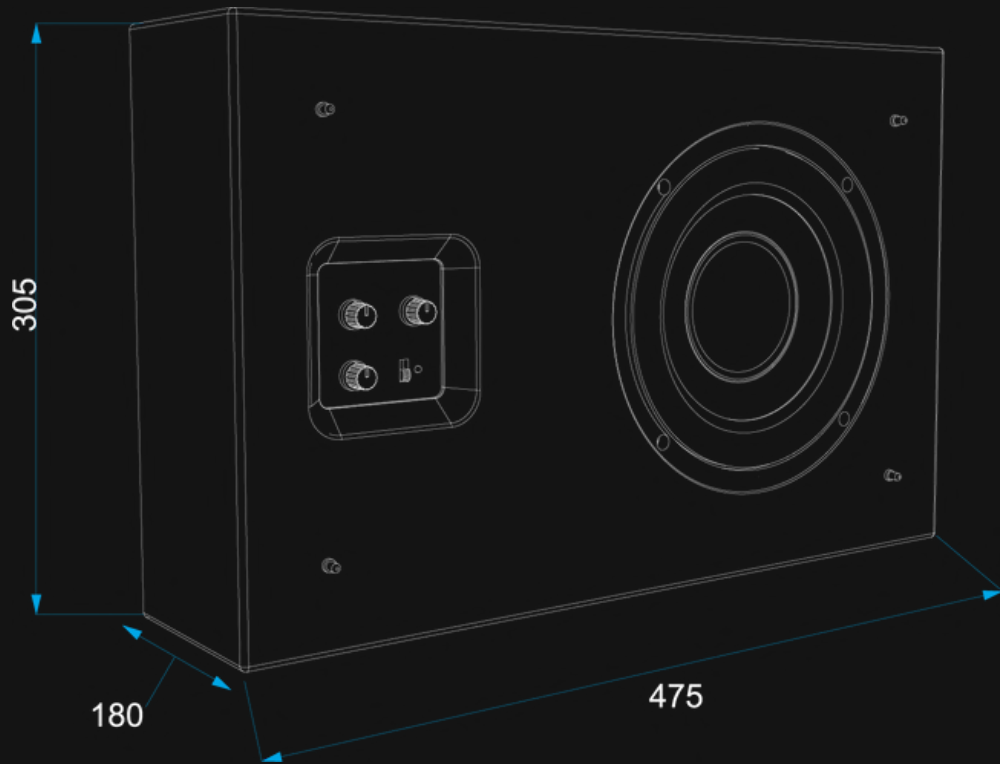


POWER HANDLING: 100W  
FREQUENCY RESPONSE: 64Hz TO 20Khz  
SENSITIVITY: 89db  
NOMINAL IMPEDANCE: 4 Ohm  
DIMENSIONS: 810mm (H) x 190mm (W) x 91mm (D)  
WEIGHT: 8.9KG



GALLO ACOUSTICS

# Profile Sub



## Specifications

Frequency Response	32Hz -220Hz +/-3db
Digital Power Amp	150 Watts
Woofers	8"woofer with PP cone and NBR surround
Phase	0 -180° continuously variable
Active low pass filter	50 to 180Hz, continuously variable
Power	Auto/On/Off: toggle switch
Dimensions	475mm (W) x 305mm (H) x 180mm (D)
Weight	10.5kg
Enclosure Material	MDF (Medium Density Fibreboard)
Connectors	2 female RCA phono inputs
Warranty	2 Years Parts and Labour









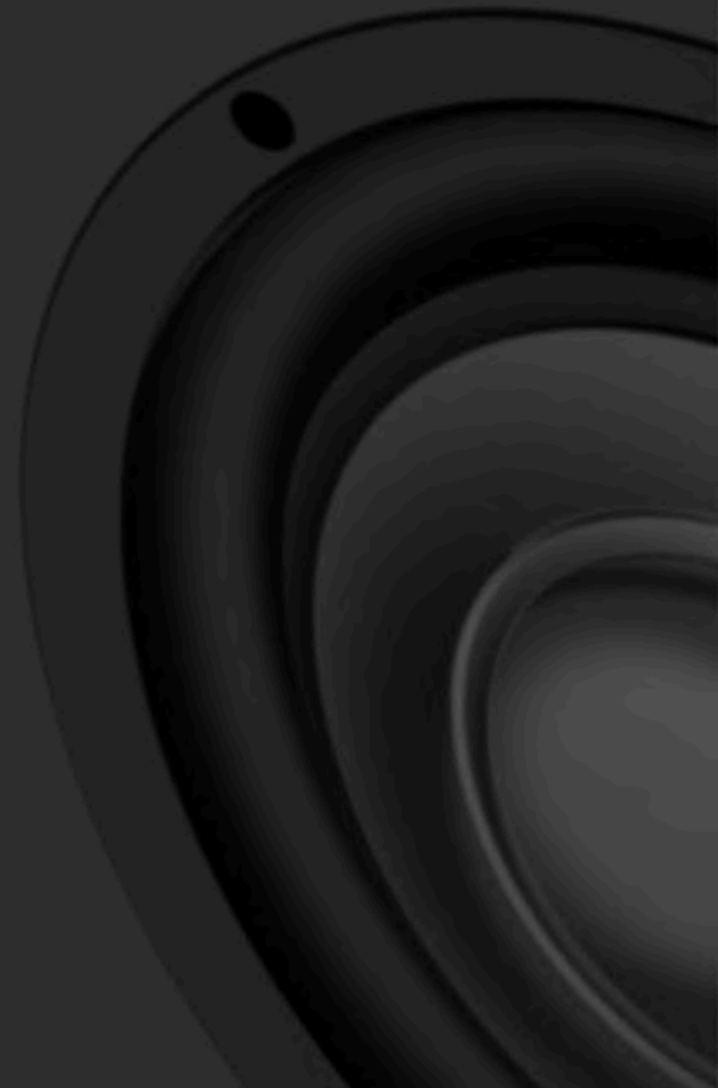
# PROFILESUB













Profile3  
150W POWERED SUBWOOFER  
GALLOACOUSTICS.COM



 **CAUTION**  
RISK OF ELECTRIC  
SHOCK DO NOT OPEN 

TO REDUCE THE RISK OF FIRE, REPLACE WITH  
ONLY THE SAME TYPE AND RATING OF FUSE

**CAUTION**  
BEFORE OPENING  
PULL MAIN PLUG

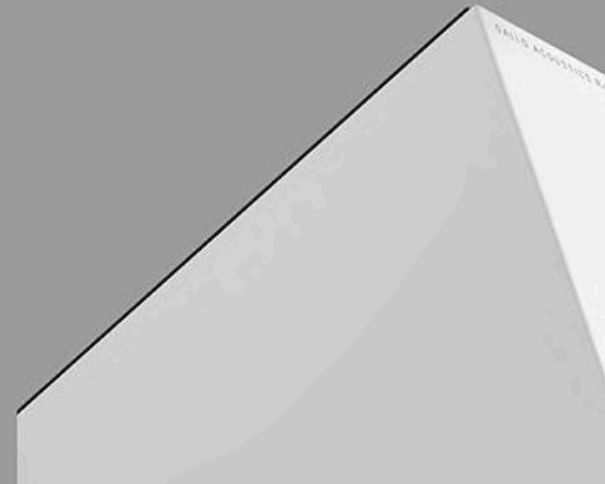
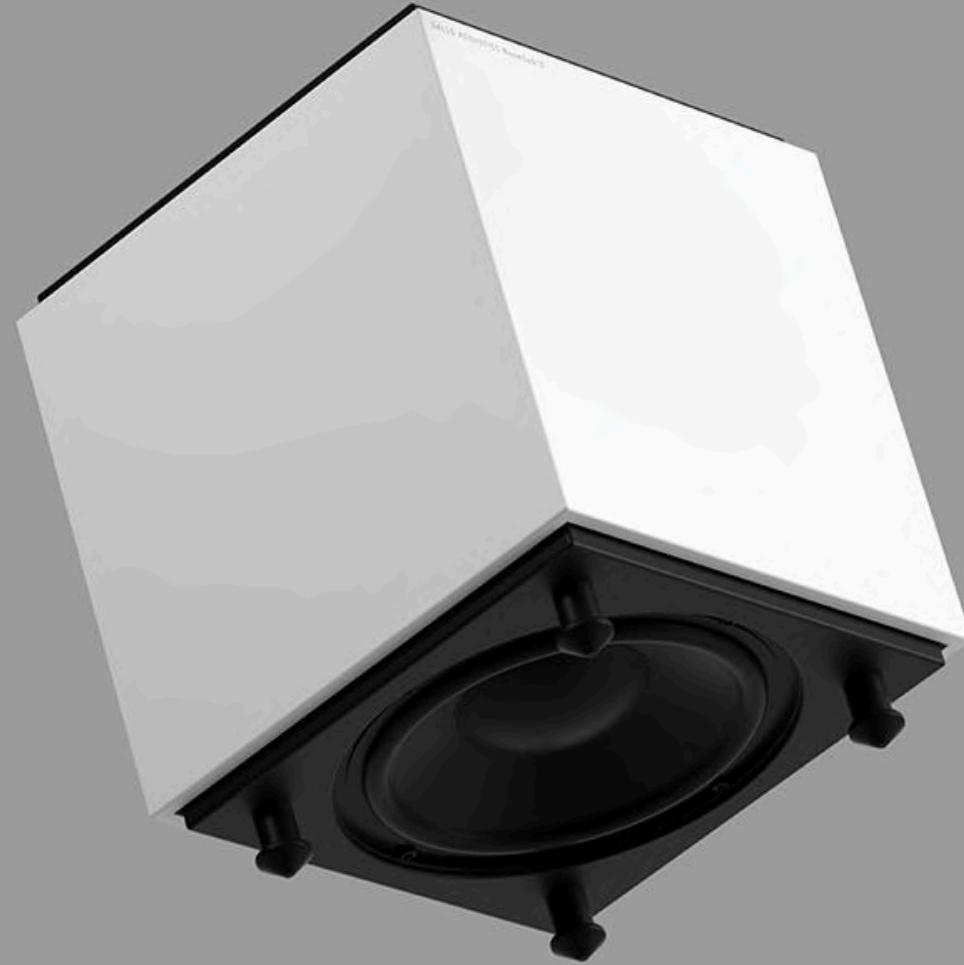
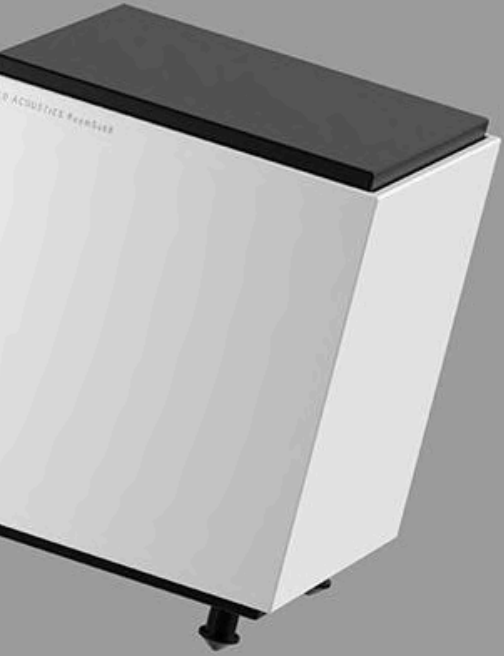


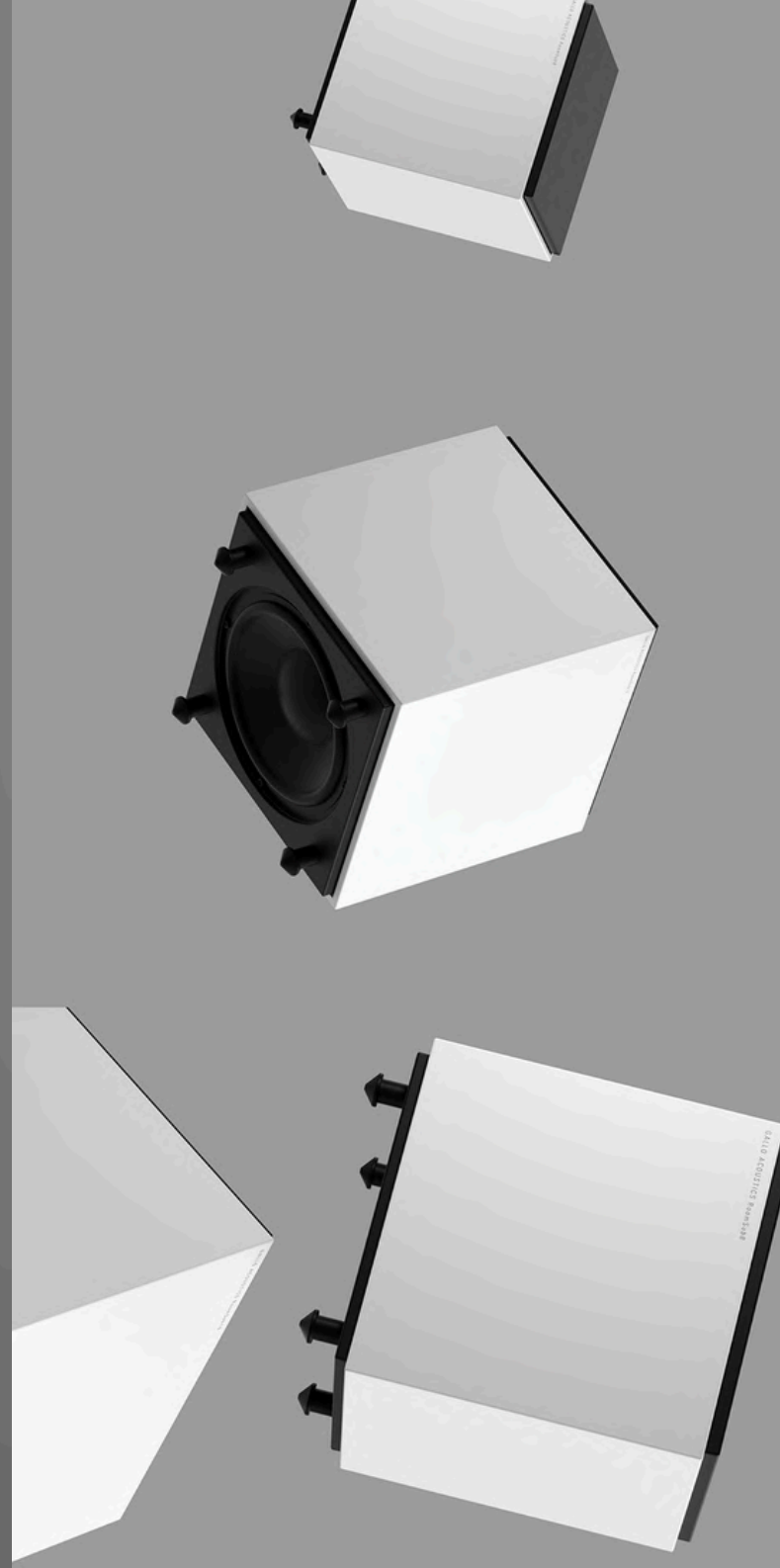
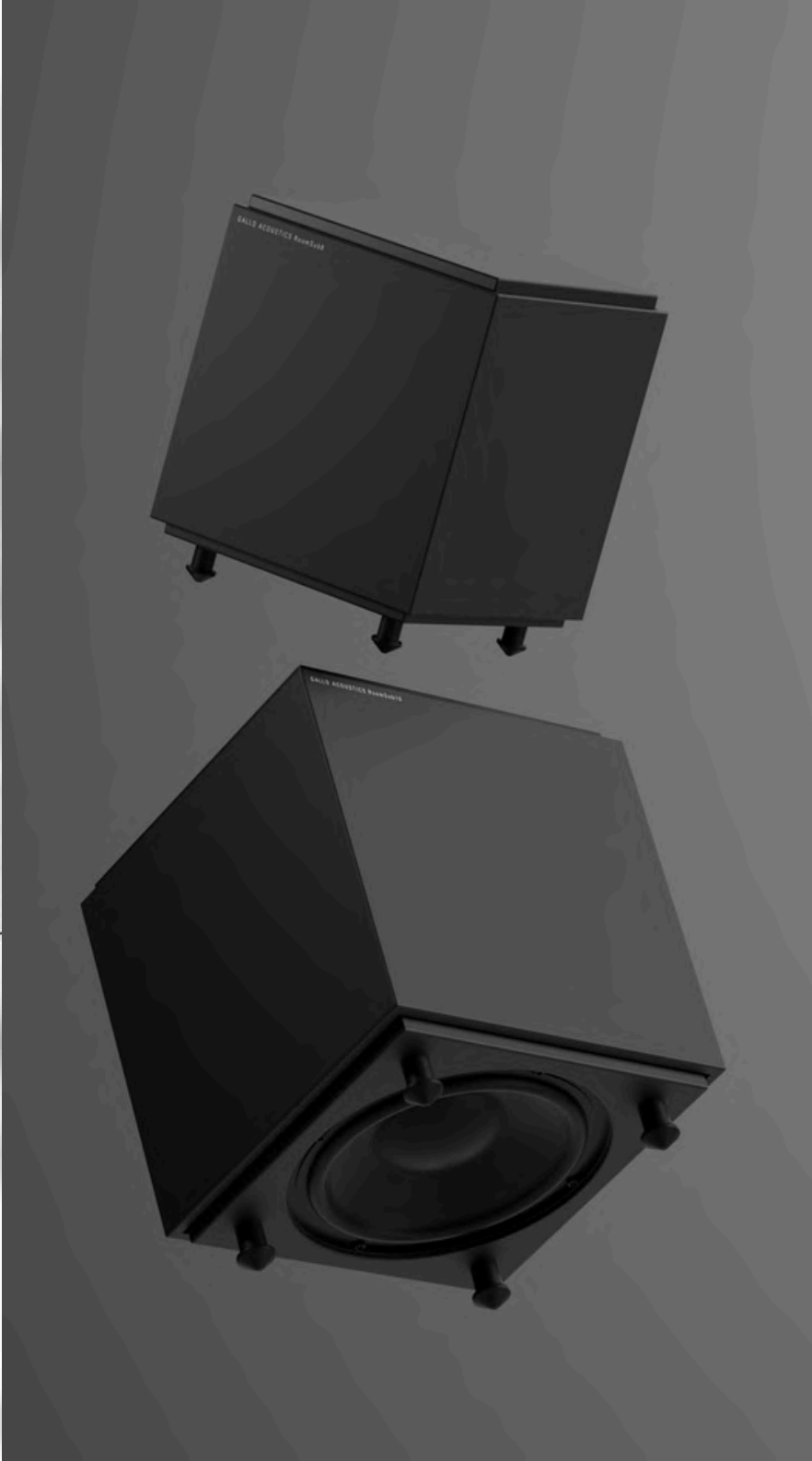
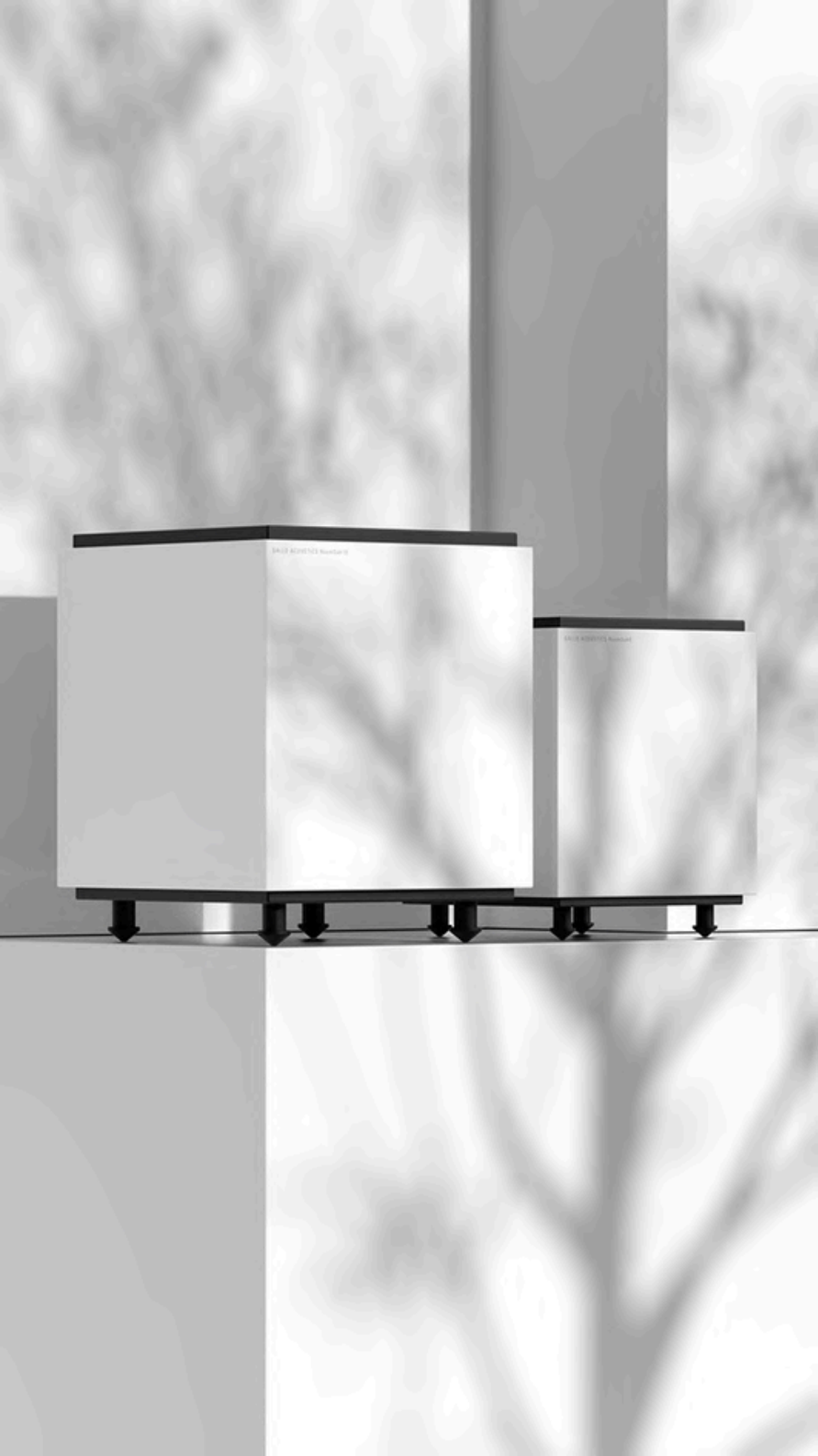
100 - 240V  
180W 50/60Hz  
T3.15AL - 250V

    
SN # 288346201



# ROOMSUB







# SPECIFICATIONS

## RoomSub8

---



FREQUENCY RESPONSE: 32Hz TO 150KHz +/- 3db  
DIGITAL POWER AMP: 200W  
WOOFER: 8" WOOFER WITH PP  
CONE AND NBR SURROUND  
ACTIVE LOW PASS FILTER: 50 TO 180Hz, CONTINUOUSLY VARIABLE  
DIMENSIONS: 342MM (W) X 286MM (H) X 286MM (D)  
WEIGHT: 12KG

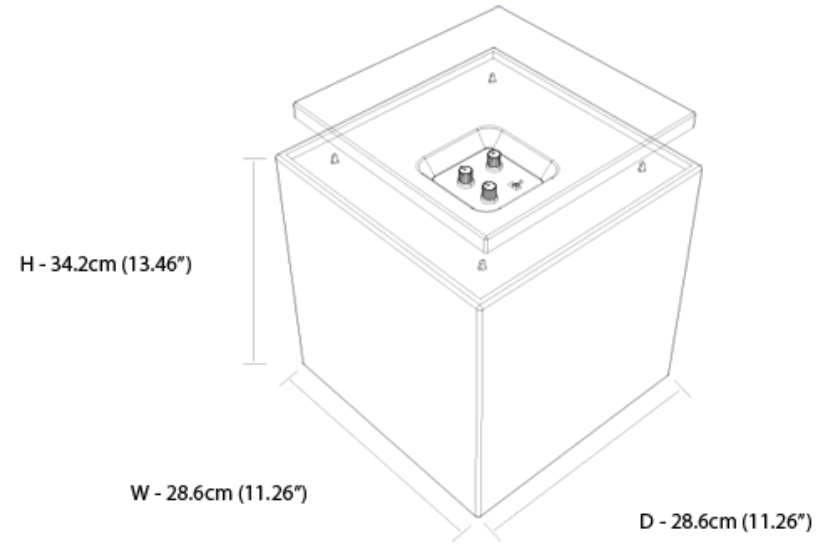
## RoomSub10

---

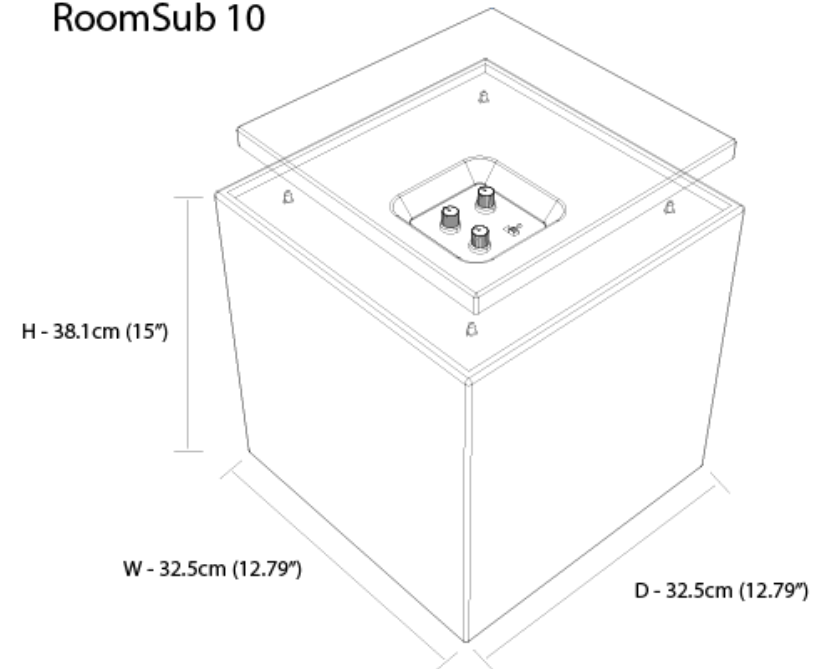


FREQUENCY RESPONSE: 32Hz TO 160Hz +/- 3db  
DIGITAL POWER AMP: 300W  
WOOFER: 10" WOOFER WITH PP  
CONE AND NBR SURROUND  
ACTIVE LOW PASS FILTER: 50 TO 180Hz, CONTINUOUSLY VARIABLE  
DIMENSIONS: 381MM (W) X 325MM (H) X 325MM (D)  
WEIGHT: 19KG

### RoomSub 8



### RoomSub 10





# Bass

The RoomSub range of subwoofers has been designed to compliment our entire\* loudspeaker line-up, from the classic 4" Micro through to our Strada 2 and Droplet pendant range.

Developed to be equally comfortable with music or movie soundtracks, RoomSubs deliver powerful yet controlled bass from deceptively compact cabinets that exude quiet, considered minimalism.

GALLO ACOUSTICS  
The Inox Building  
Caldwellside Lanark  
ML11 7SR UK  
T : 01555 66 68 83  
E : [info@galloacoustics.com](mailto:info@galloacoustics.com)

[GALLOACOUSTICS.COM](http://GALLOACOUSTICS.COM)

RoomSub is available in two size and power variants, the 8" woofer/200W rated RoomSub8, and the 10" woofer/300W rated RoomSub10.

The down-firing RoomSubs deliver bass frequencies down to 32Hz, developing excellent definition and deep, rich bass - a signature of Gallo subwoofers.

RoomSub8 and RoomSub10 are available in a choice of satin white and satin black finishes.

For further information ask your retailer or visit [www.galloacoustics.com](http://www.galloacoustics.com)

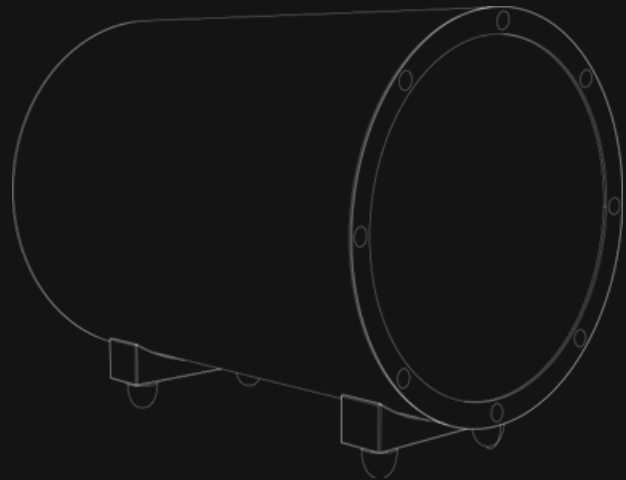
RoomSub8 dimensions: 28.6cm (W) x 34.2cm (H) x 28.6cm (D)

RoomSub10 dimensions: 32.5cm (W) x 38.1cm (H) x 32.5cm (D)

\* Excludes HABITAT outdoor range

GALLO ACOUSTICS

# TR-3D Subwoofer



## Specifications

- **In-room frequency response**
- **Digital power amp**
- **Phase**
- **Low pass**
- **High pass**
- **Bass EQ**
- **Power**
- **Dimensions:**
- **Enclosure type**
- **Connections**
- **Woofers**
- **Warranty**
- 18Hz -180Hz +/-3db
- 300 Watts RMS, 600 Watts max
- 0/180 switch
- 50 to 180Hz, continuously variable with LFE by-pass switch
- 100Hz fixed, 1st order on high-level output
- 0, +3dB, +6dB 25 Hz center frequency
- Auto/On/Off: toggle Switch
- 275mm (W) x 305mm (H) x 345mm (D)
- Hardened steel with S2 Bass loading
- 2 female RCA phono inputs and 2 female RCA phono outputs (pass-thru) 5-way gold plated binding posts
- 10" long throw ceramic coated aluminium
- 2 Years Parts and Labour





# Celebrating 20 Years of the Micro

Following the success of his ground-breaking spherical Nucleus Solo reference loudspeaker, and as a result of five years of development, in the summer of 1999 Anthony Gallo launched his new 'affordable' Nucleus Micro design.

Inspired by the same principles that had seen the Nucleus Solo gain acclaim in audiophile circles – namely that spherical speaker designs have inherent superiority over traditional box enclosures, the Nucleus Micro set about changing perceptions of just how good a 'small', reasonably priced loudspeaker could be.

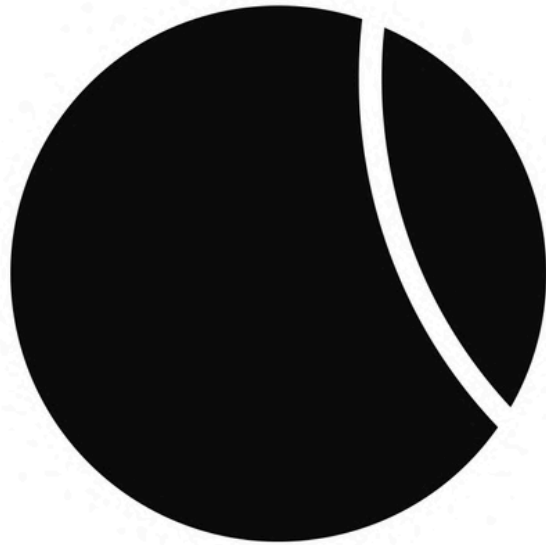
The Nucleus Micro design (now known simply as the "Micro") was an instant hit, equally acclaimed as a two-channel product for the stereo crowd, as it was as a multi-channel home cinema or smart home speaker.

Twenty years later, and the Micro has been in continuous production ever since. Over the years, evolutionary refinements to its enclosure and driver have improved the Micro in all areas, and a second higher-performance version (the Micro SE) and pendant variant (Droplet) have been added to the line-up.

In celebration of the 20th anniversary we have produced a very special chromed version of the Micro, Micro SE, Micro Droplet and Micro Droplet SE. The result is a very special loudspeaker - tactile, handsome, luxurious.







# GALLO ACOUSTICS



ANTHONY GALLO ACOUSTICS LTD  
THE INOX BUILDING  
CALDWELLSIDE  
LANARK  
SCOTLAND  
UNITED KINGDOM  
ML11 7SR

[WWW.GALLOACOUSTICS.COM](http://WWW.GALLOACOUSTICS.COM)